

 **TORA-MAX**

WALKIE TUGGER



2TWT22



CAPACITY 2,200 LBS.		BATTERY 24V		TRAVEL SPEED (FULL LOAD) 2.8 MPH.	
INDUSTRIES					
 Airport	 General Manufacturing	 General Warehousing	 Distribution		
 Food Storage	 Retail				

STANDARD EQUIPMENT

PERFORMANCE

- 24 Volt Electrical System
- DC Drive Controller
- with Thermal Protection & Current Limiting
- Transistor Drive Control System
- Regenerative Braking
- Contactor-less Drive Controls
- Anti-roll Back System
- Fused Control and Power Circuits
- High Ground Clearance

BODY/EXTERIOR DESIGN

- Rubber Drive Tire (non marking)
- Polyurethane Caster Wheels
- External Battery Charger
- Exchangeable 24V Lithium Ion Battery
- Pin Code Access
- RFID Card Access
- Adjustable Height Swivel Castors
- Stepless Adjustable Hitch Height
- with Manual Coupling

OPERABILITY & ERGONOMICS

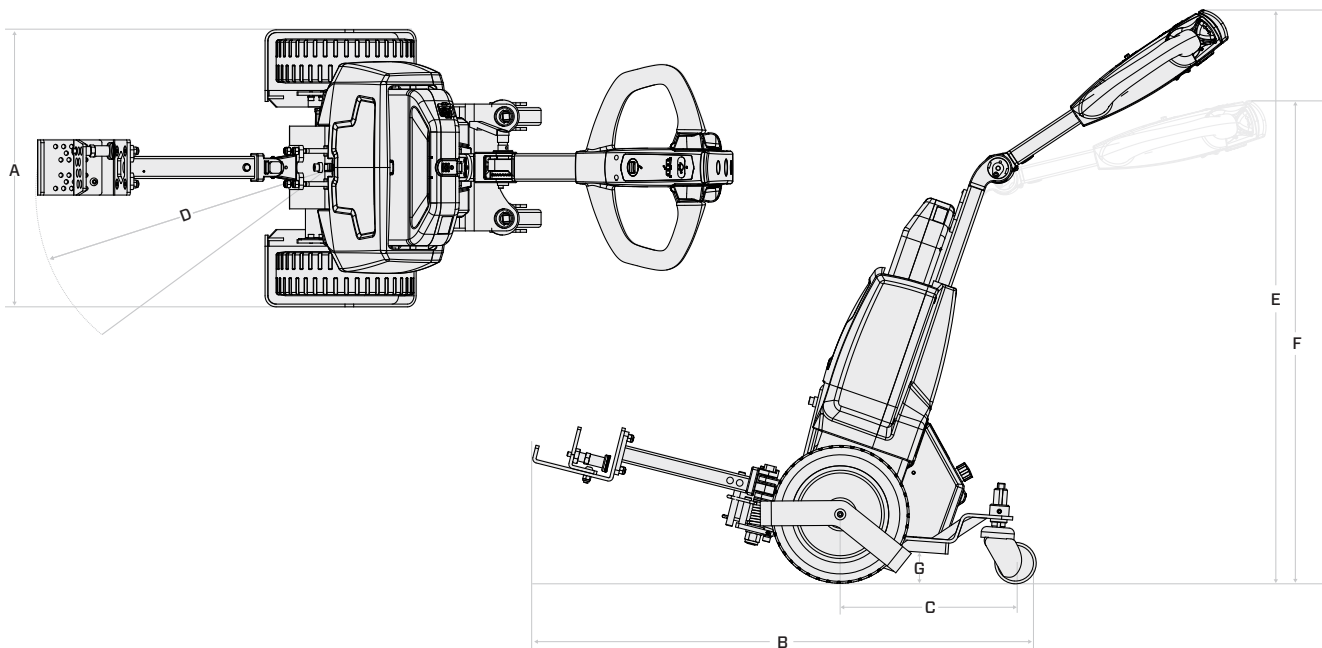
- Multifunction Control Handle
- with Ergonomically Angled Hand Grips
- Fingertip Control of All Functions
- Directional Thumb Wheels
- Adjustable Tiller Height
- Parking Brake
- Electromagnetic Brake
- Turtle Speed Button
- LCD Battery Discharge Indicator
- with Hourmeter

OPTIONAL EQUIPMENT

- Extra LIB 24V36AH

GENERAL DATA			2TWT22	
Load Capacity		lb (kg)	2200 (1000)	
Power Type			Battery	
Operator Position			Walkie	
Tire Type	Drive/Load		Rubber/Polyurethane	
Wheels (x = driven)	Front/Rear		2 / 2	
EXTERIOR DIMENSIONS ¹			2TWT22	
A Overall Width		in (mm)	19.8 (503)	
B Overall Length		in (mm)	36 (915)	
C Wheelbase		in (mm)	12.8 (325)	
D Turning Radius		in (mm)	22 (560)	
E Control Handle Height	Fully Raised	in (mm)	45.3 (1150)	
F Control Handle Height	Fully Lowered	in (mm)	29.5 (750)	
G Ground Clearance (center of wheelbase)		in (mm)	1.4 (35)	
	Gross Weight without Battery	lb (kg)	147.7 (67)	
	Axle Loading (No Load)	Front/Rear lb (kg)	121.3 (55) / 42 (19)	
PERFORMANCE DATA			2TWT22	
Travel Speeds	Full Load	mph (km/h)	2.8 (4.5)	
	No Load	mph (km/h)	3.0 (4.9)	
Drawbar Pull	Continuous	lb-ft (N)	45 (200)	
	Maximum	lb-ft (N)	124 (550)	
Tires	Number	Drive/Caster	2 / 2	
	Size (dia. x width)	Drive	in (mm)	9.8x3.1 (250x80)
		Caster	in (mm)	3x1.3 (75x32)
Tread	Caster/Drive	in (mm)	7.3 (185) / 15.2 (385)	
POWER SYSTEM			2TWT22	
Battery	Voltage/Amps	V/AH	24/36	
	Weight	lb (kg)	16.8 (7.6)	
Electric Motors	Drive	hp (kW)	.54 (0.4)	
Control Type	Drive		DC - Speed Control	

EXTERIOR DIMENSIONS





TORA-MAX

2TWT22SS
©2024 TORA-MAX

shop.toyotaforklift.com

Some product features described herein are optional. Please consult your dealer for specifications. Details of specifications and equipment are based on information available at time of printing and may change without notice.